

**Specifications**

Capacity – dry weight, cotton up to	60 kg
Batch diameter (nominal)	940mm
Cycle time min.	75 sec.
Moisture retention (DIN 11901) as per operation conditions	43 – 49%
Electric connected load 8.7 kW	consumption approx. 6.3 kWh
12.2 kW	with periods shorter than 2min. resp. 60 cycles 9.3 kWh
Cooling water, utilized in the batch washer	approx. 350 l/h
Compressed air: 6 bar	approx. 2l/shift
Entrance dimensions, machine laid flat, hydraulics not disconnected (without oil)	W=1500mm, H=2400mm
Operational dimensions	length 2155mm, width 1880mm, height 3200/3450 mm
Operational weight	approx. 9000 kg
Transport weight	gross 9100 kg

**Application**

The **Lavapress LP 572** is a single stage press for cyclic extraction of processed laundry batches consisting of 0-60 kg dry weight, transferred from the batch washer.

**Extraction**

Effected even and conservative by means of controlled pressure build - up via a pressure pad mounted to the press stamp containing a constant water filling.

**Standard version**

Solid steel design by means of a closed unit consisting of a base section, columns and head section.

Oil hydraulic with oil cooling and 200 liter filling

3 selectable pressure stages, e.g. 12, 18 max. 40bar

Pressure shut-off each pressure stage possible

1 replacement pressure pad

In line, respective angle positioning optional

Chute for **Lavatec** batch washer

Electric supply: 3/N~50Hz, 400/300V

Micro processor control with function monitoring and manual control.

Laundry contact only with stainless steel parts.

Machine panelling made of stainless steel, wire-brushed-finish.

Large maintenance doors on two sides of machine.

Large dimensioned water collection-tank with pump device and drain connection.

Transport conveyor with drainage plate for safe batch transport from the press.

Pedestal for height adjustment.

Cooling water valve.

Machine equipped in accordance with relevant safety standards.

**Special version**

Programable pressure control for special textiles, laminates or the like

Chutes for selected batch washers, respective special positioning.

Conveyor extension + 600mm.

Conveyor – special length compensation by intermediate conveyor.

Electric: special voltage, special frequency, CSA-, Nema/UL-regulation.

Visual alarm

Interface for operation data recording

Additional pressure pad

Water flow pump instead of emersion pump for water return into tunnel washer

Disinfection – DHSS (prepared) automatic disinfection of transport conveyor

Embedded in disinfection of tunnel washer by means of hot water

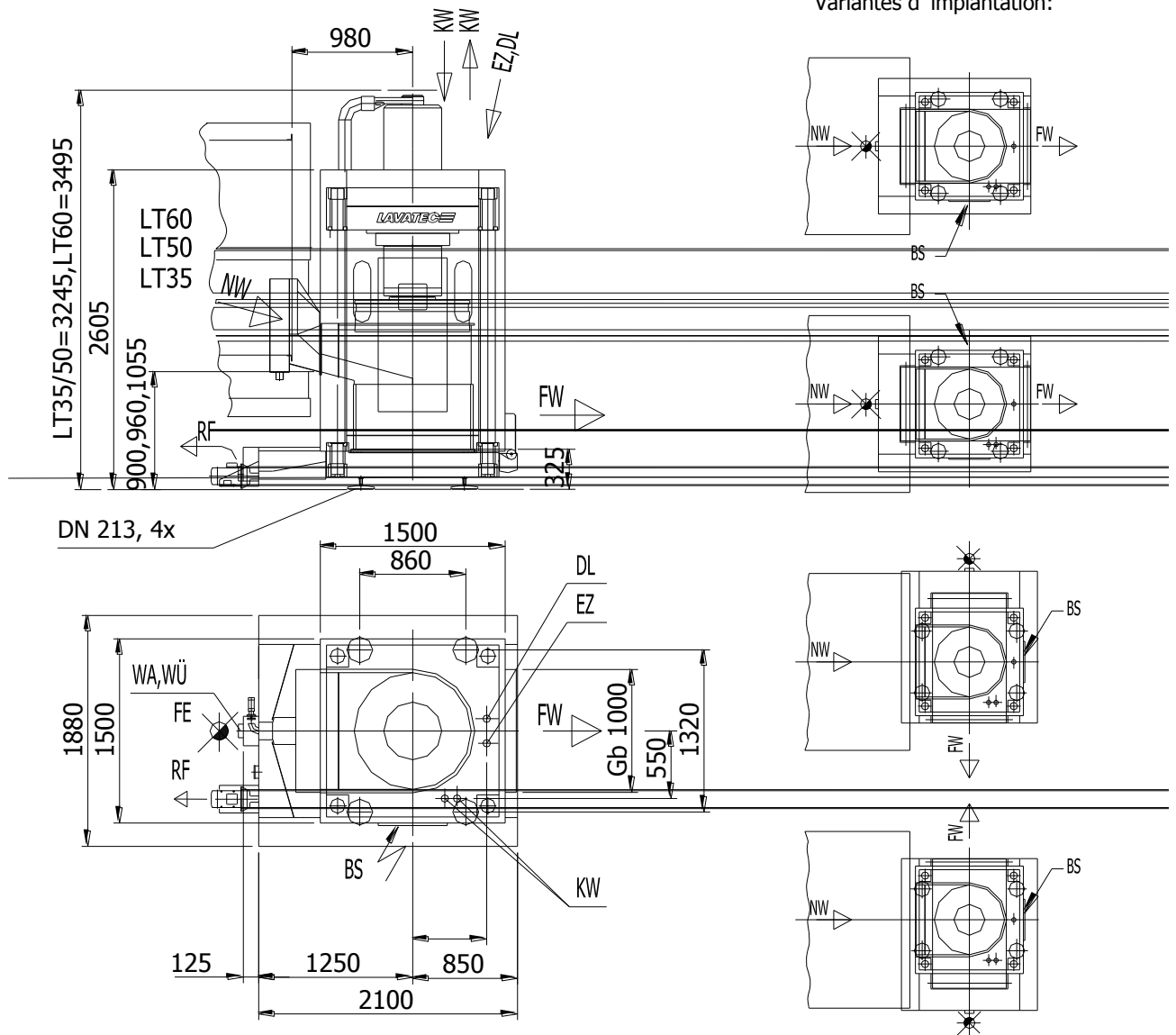
Disinfection – complete with tank, independent chemical disinfection

**Accessories**

Transport units for batch transfer

Standardpresse

Aufstellungsmöglichkeiten:  
Installations:  
Variantes d' implantation:



NW = nasse Ware wet linen Linge mouillée	WA = Wasserablauf water drainage vidange	DN 100 DN 100 DN 100	Einbringöffnung: Entrance dimensions: Ouvertures d' acces:
FW = feuchte Ware moist linen Linge humide	BS = Bedienseite service side Côté de commande		Höhe/Height/Hauteur = ca. 2400 mm
EZ = Elektro-Zuleitung electric supply Arrivée électrique	FE = Fußbodenentwässerung floor drain Drainage au sol		Breite/Width/Largeur = ca. 2000 mm
RF = Rückflotte zur Waschmaschine water recovery Branchement de refoulement	KW = Kühlwasser Vor/Rücklauf cooling water IN/OUT Eau à refroidissement marche avant/rétour	DN50 DN50 DN50	Wandabstand = ca. 900 mm
WÜ = Wasserüberlauf water overflow Débordement d'eau	DL = Druckluft compressed air	DN 100 DN 100 DN 100	Wall distance = ca. 900 mm
			Distance au mur = ca. 900 mm

Technische Änderungen vorbehalten / Subject to alterations / Modification sous Réserve